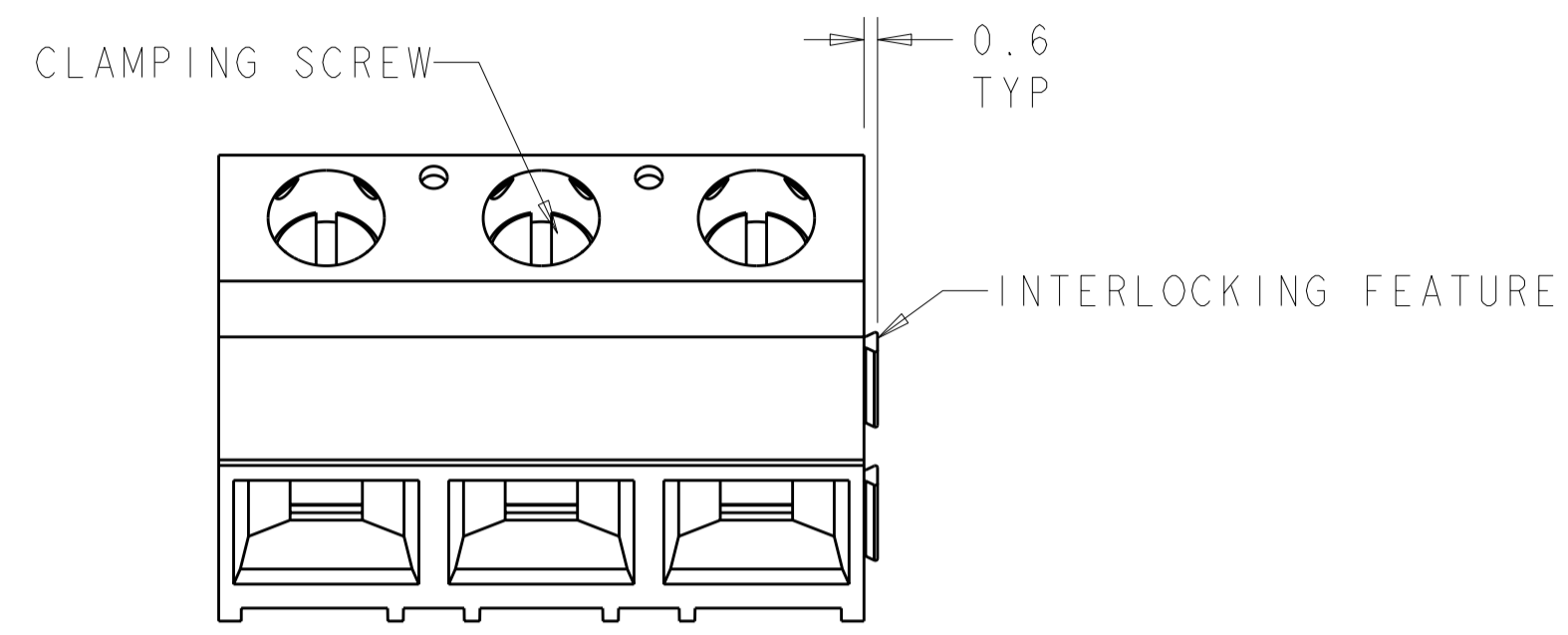
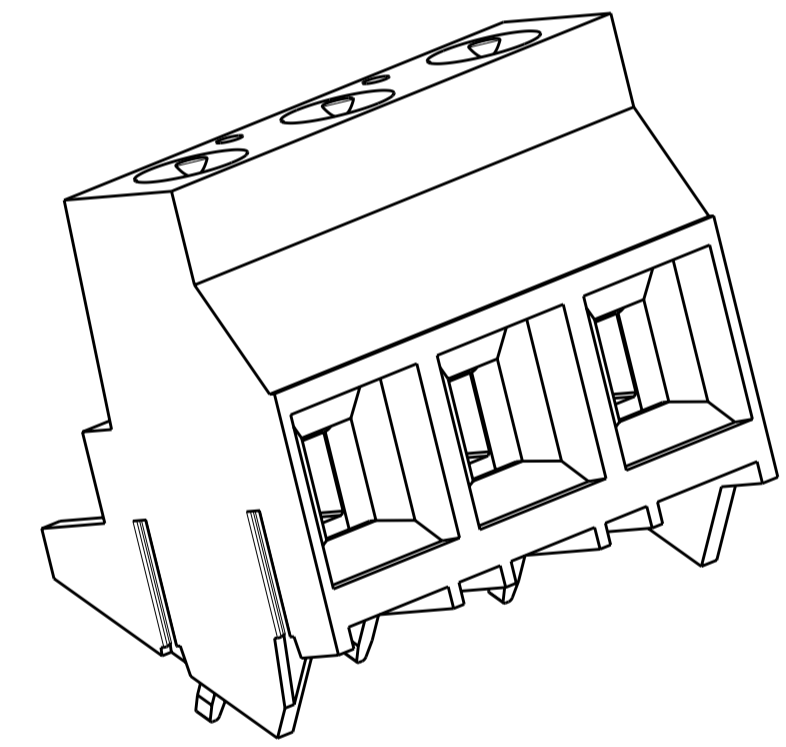
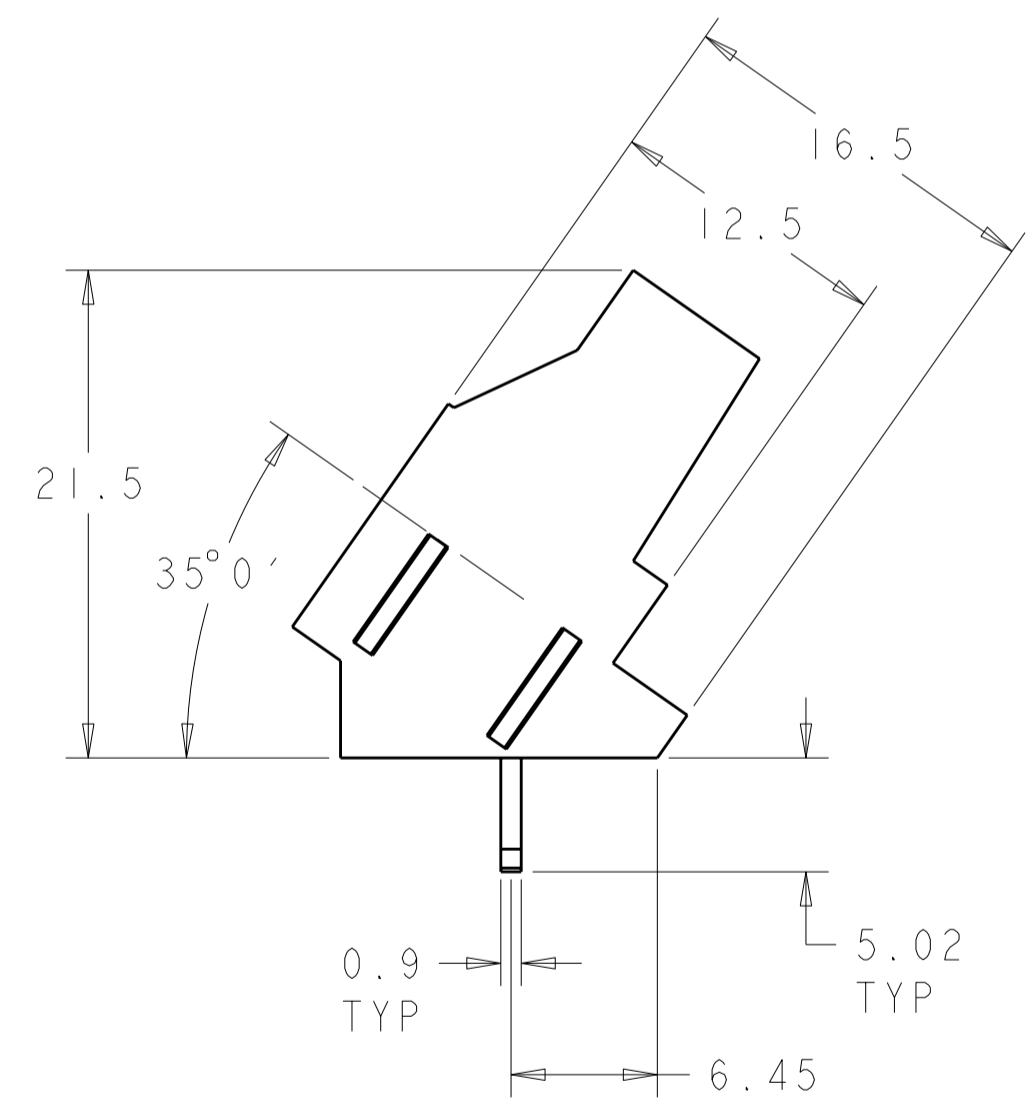
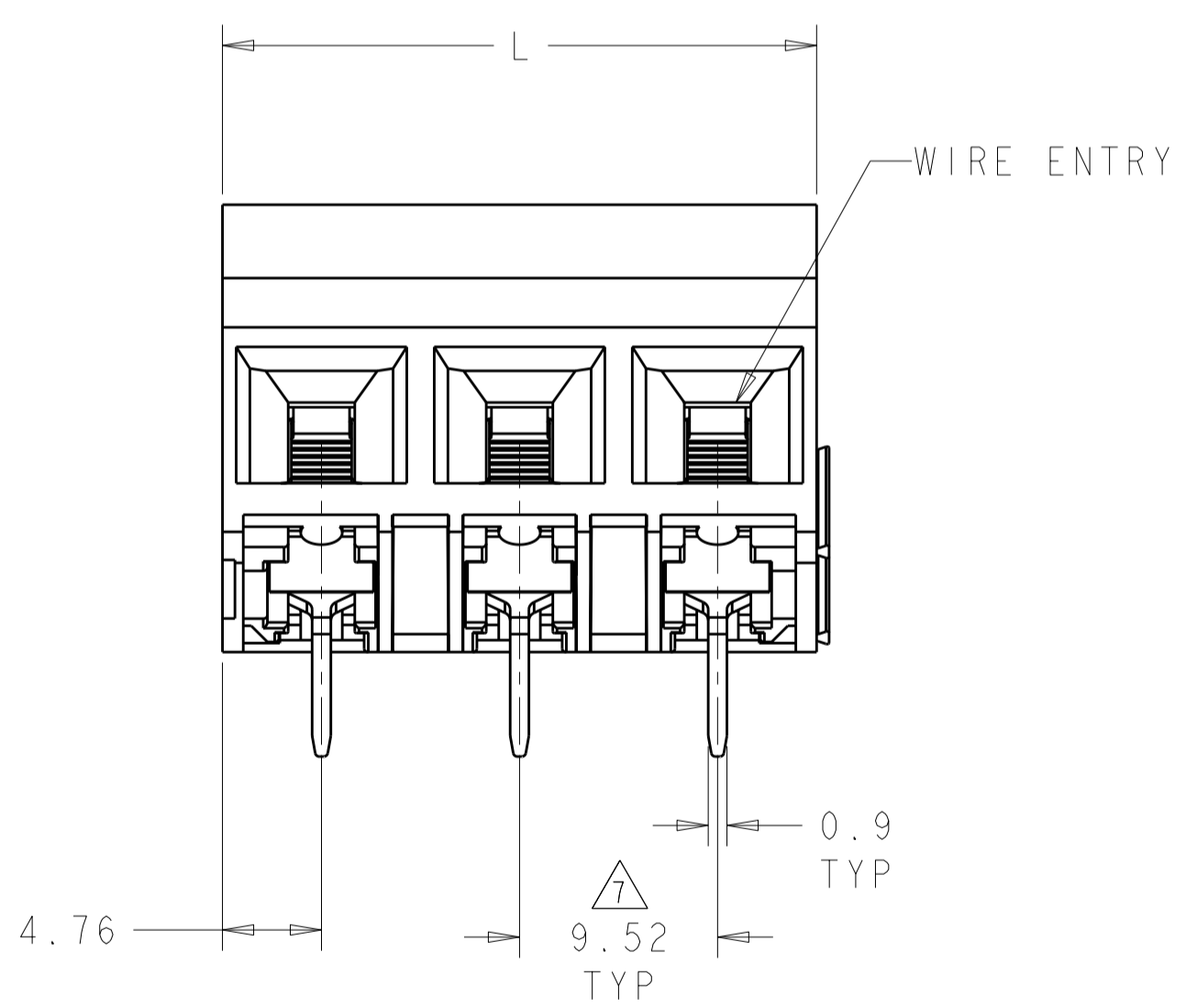


THIS DRAWING IS UNPUBLISHED. RELEASED FOR PUBLICATION 20
 © COPYRIGHT 20 BY TYCO ELECTRONICS CORPORATION. ALL INTERNATIONAL RIGHTS RESERVED.

LOC		DIST		REVISIONS			
P	LTR	DESCRIPTION	DATE	DWN	APVD		
	BI	REVISED PER ECO-10-012581	17JUN2010	HMR	CR		

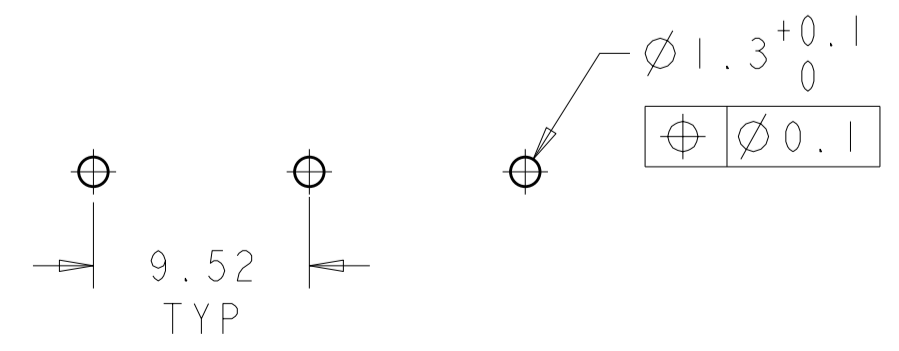


- 1. MATERIALS AND FINISH
 HOUSING: PA 6-6, UL 94-VO, COLOR GREEN
 CLAMP: BRASS, NICKEL PLATED.
 CLAMPING SCREW: M3, BRASS, NICKEL PLATED.
 - 2. SUITABLE FOR 3.2mm PCB THICKNESS.
 - 3. END-TO-END STACKABLE W/INTERLOCK, WITHOUT LOSS OF CENTERLINE SPACING.
 - 4. WIRE SIZE RANGE: 10-24 AWG, RATED 600V, 30A.
 - 5. RECOGNIZED UNDER THE COMPONENT PROGRAM OF UNDERWRITERS LABORATORY INC. FILE No. E60677.
 - 6. IMQ CERTIFICATE WITH SURVIELANCE IN CONFORMITY WITH EN 60998.
7. NOT CUMULATIVE TOLERANCE.
8. PRELIMINARY



796741-3 AS SHOWN

8	76.16	8	796741-8
8	57.12	6	796741-6
	28.56	3	796741-3
	19.04	2	796741-2
	L	No. POS.	PART NUMBER



RECOMMENDED PC BOARD LAYOUT

<small>THIS DRAWING IS A CONTROLLED DOCUMENT FOR TYCO ELECTRONICS CORPORATION. IT IS SUBJECT TO CHANGE AND THE CONTROLLING ENGINEERING ORGANIZATION SHOULD BE CONTACTED FOR THE LATEST REVISION.</small>		DWN E. ZANOLINI 06MAR2001 CHK E. ZANOLINI 06MAR2001 APVD D. BIEVENOUR 06MAR2001	Tyco Electronics Tyco Electronics Harrisburg, PA 17105-3608
DIMENSIONS: mm	TOLERANCES UNLESS OTHERWISE SPECIFIED: 0 PLC ±0.15 1 PLC ±0.2 2 PLC ±0.2 3 PLC ± 4 PLC ± ANGLES ± FINISH	PRODUCT SPEC - APPLICATION SPEC - WEIGHT -	NAME TERMINAL BLOCK, PCB MOUNT 35 deg. WIRE ENTRY, HIGH CURRENT W/INTERLOCK, 9.52mm PITCH
MATERIAL 1 -	1 -	CUSTOMER DRAWING	SIZE A2 CAGE CODE 00779 DRAWING NO. C-796741 RESTRICTED TO -
		SCALE 3	SHEET 1 OF 1 REV BI